

°fool moon

People have always been fascinated by the light of a perfect circle. The returning full moon and the natural phenomena ascribed to it (higher childbirth percentage, fertility, transformation from human to animal, etc.), the archetypical form of a UFO, the shape of a gong, the sun... are but a few striking examples.

Despite its shape of a full circle ('full moon'), the lamp can be used in several positions: horizontally, diagonally, obliquely or vertically ('fool moon'). Thanks to its large dimensions, the lamp is easily recognisable and has the possibility of demarcating or creating spaces. The lamp also has a highly symbolic value due to its imposed abstraction.

design by Bart Lens.



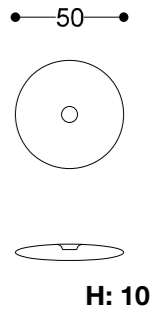
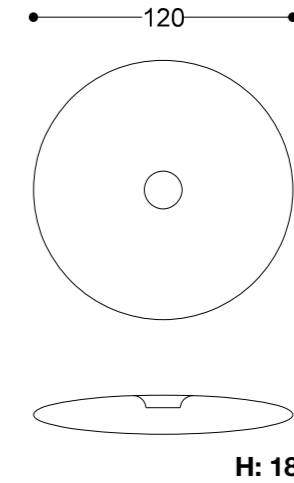
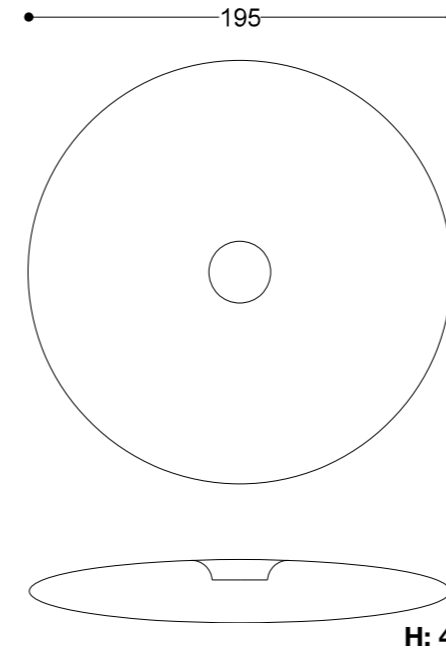


fool moon large









°fool moon large

FM.L.355.000	3 x PL 55W
FM.L.355.00D	3 x PL 55W dimmable 1-10V
FM.L.355.0DA	3 x PL 55W dimmable DALI
FM.L.355.RGB.DMX	3 x PL 55W + RGB LED DMX controllable
FM.L.355.RGB.DAL	3 x PL 55W + RGB LED DALI controllable
FM.L.355.RGB.M	3 x PL 55W + RGB LED master with remote control
FM.L.355.RGB.S	3 x PL 55W + RGB LED slave

°fool moon medium

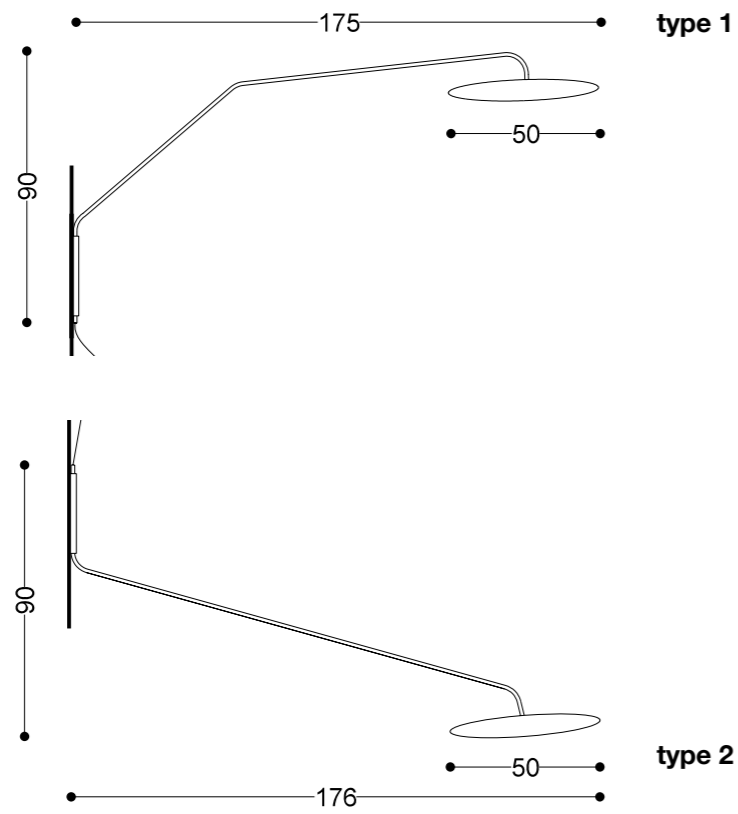
FM.M.324.000	3 x PL24W
FM.M.324.00D	3 x PL24W dimmable 1-10V
FM.M.000.RGB.DMX	RGB LED DMX controllable
FM.M.000.RGB.DAL	RGB LED DALI controllable
FM.M.000.RGB.M	RGB LED master with remote
FM.M.000.RGB.S	RGB LED slave

°fool moon small

FM.S.308.000	3 x PL8W
FM.S.314.000	3 x PL14W
FM.S.RGB.DMX	RGB LED DMX controllable
FM.S.RGB.DAL	RGB LED DALI controllable
FM.S.RGB.M	RGB LED Master with remote
FM.S.RGB.S	RGB LED Slave

material: PE - weight: L 33 kg M 20 kg S 3 kg - included : 2m cable, rosas and suspension elements  
230VAC - FM large max 200W, FM medium max 72W, FM small max 42W





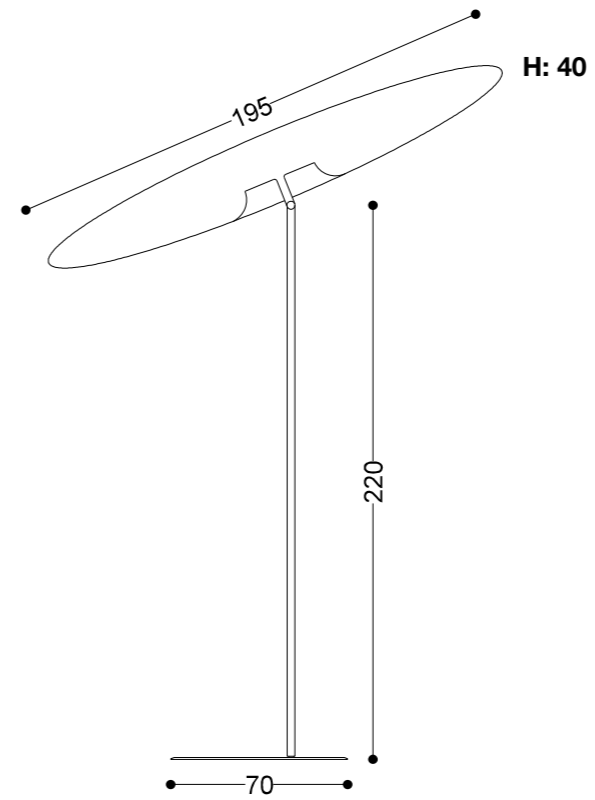
°fool moon wall type1

°fool moon wall type2

FM.S.308.WALL1 3X PL 8W E14 socket  
 FM.S.314.WALL1 3X PL 14W E14 socket

FM.S.308.WALL2 3X PL 8W E14 socket  
 FM.S.314.WALL2 3X PL 14W E14 socket

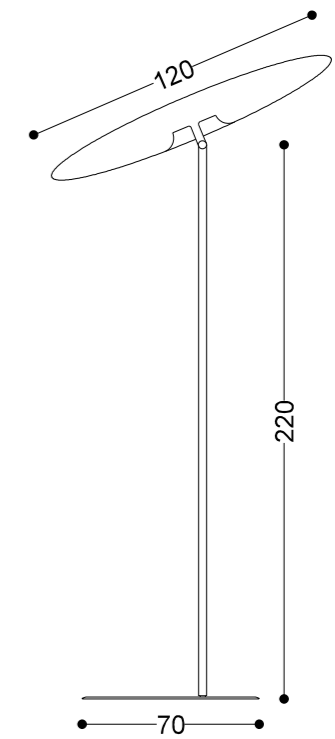
materials: PE & steel - weight: 4.5 kg - 230VAC - max 42W



°fool moon floor large

FM.L.355.FLR 3X PL 55W floor

materials: PE & steel - weight: L 52 kg, M 38 kg - 230VAC - FM large max 200W, FM medium max 72W



°fool moon floor medium

FM.M.324.FLR 3X PL 24W floor

