

1. Safety instructions **READ BEFORE USE**

Always switch off electricity preceding connection and cleaning.
 Only to be connected by authorized persons.
 Only use in combination with a 24VDC SELV power supply. Do not connect any other voltages to the track.
 Do not switch the + and – polarities.
 Suspension elements included (pendant version: ceiling rose + 2m cable included).
 Only install the system from a solid base using the appropriate fixing materials.
 Do not hang above a source of heat.

2. Wiring and wire section

The track connection point is located at 2 cm from the head of the track

Use at least 2 x 2.5mm² cable – under most circumstances this will be sufficient, except for those cases that are marked in grey. In these cases, the wire section must be higher (see the table below) or you may have to consider installing the power supply closer to the track.

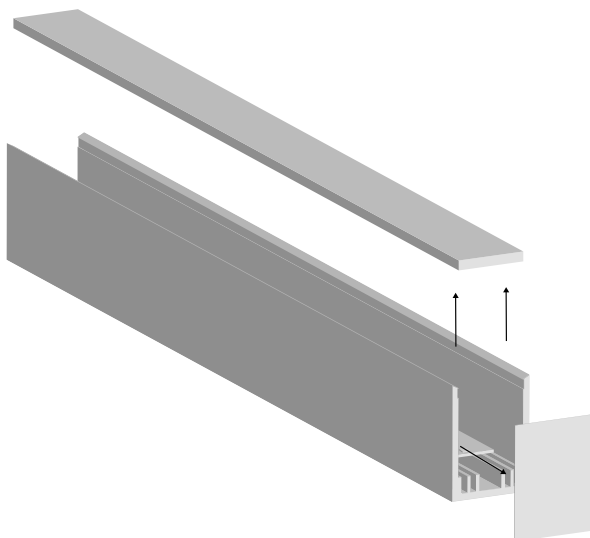
		Distance power supply to track						
		5m	10m	15m	20m	25m	30m	40m
maximum power of the track	30W	2.5	2.5	2.5	2.5	2.5	2.5	2.5
	60W	2.5	2.5	2.5	2.5	2.5	2.5	2.5
	90W	2.5	2.5	2.5	2.5	2.5	2.5	2.5
	120W	2.5	2.5	2.5	2.5	2.5	2.5	3
	150W	2.5	2.5	2.5	2.5	2.5	2.5	4
	180W	2.5	2.5	2.5	2.5	3	4	5
	210W	2.5	2.5	2.5	2.5	4	4	6
	240W	2.5	2.5	2.5	3	4	4	6
	270W	2.5	2.5	2.5	4	4	5	6
	300W	2.5	2.5	3	4	5	6	8

Power LL25 = 13W / M

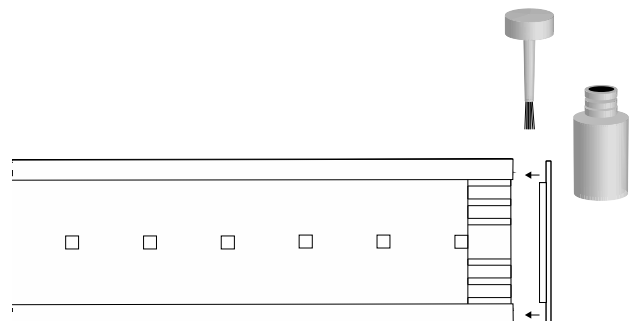
Power LL25 (RGB) = 14,4W / M

3. Installation

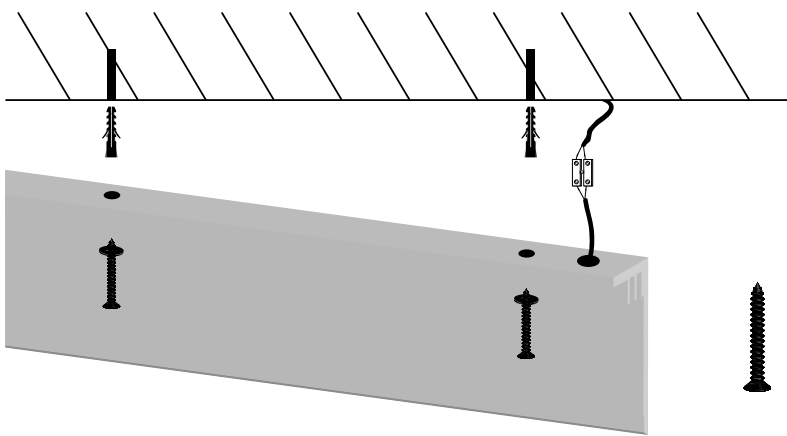
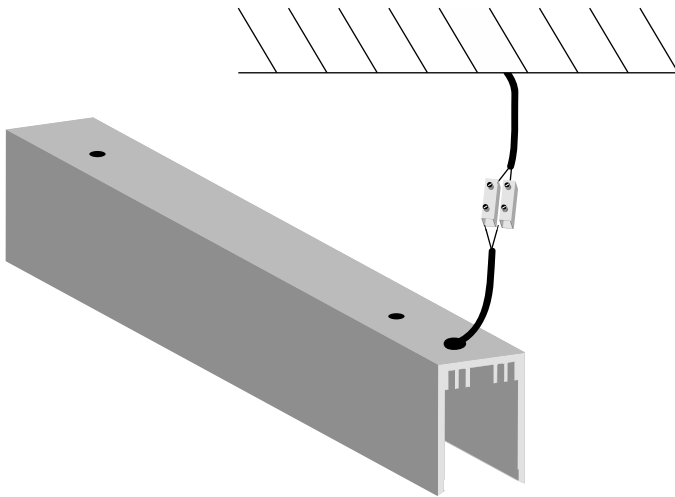
Unclip the plexi



Glue the end caps



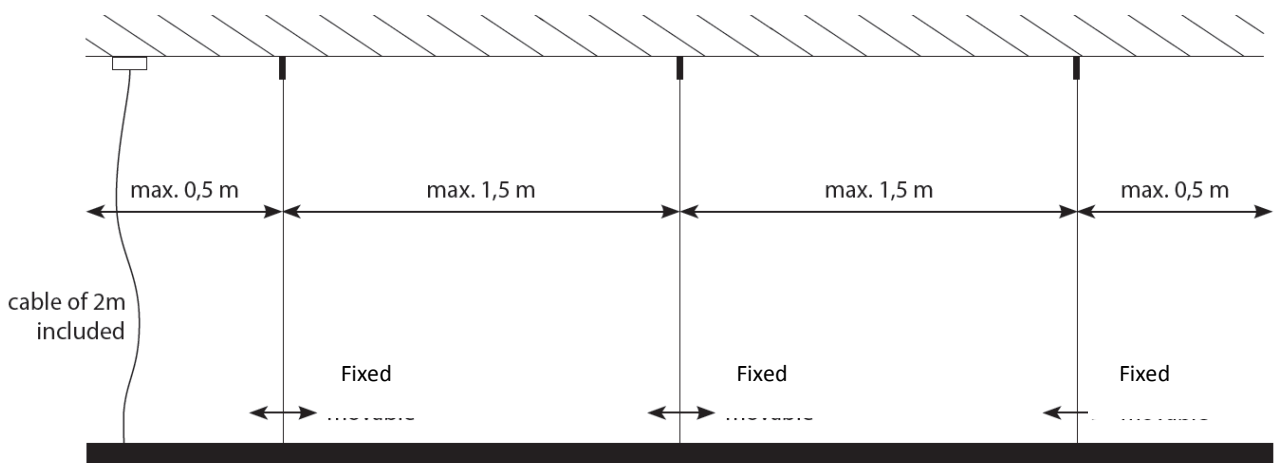
Connect the feeding cable: **24 VDC**



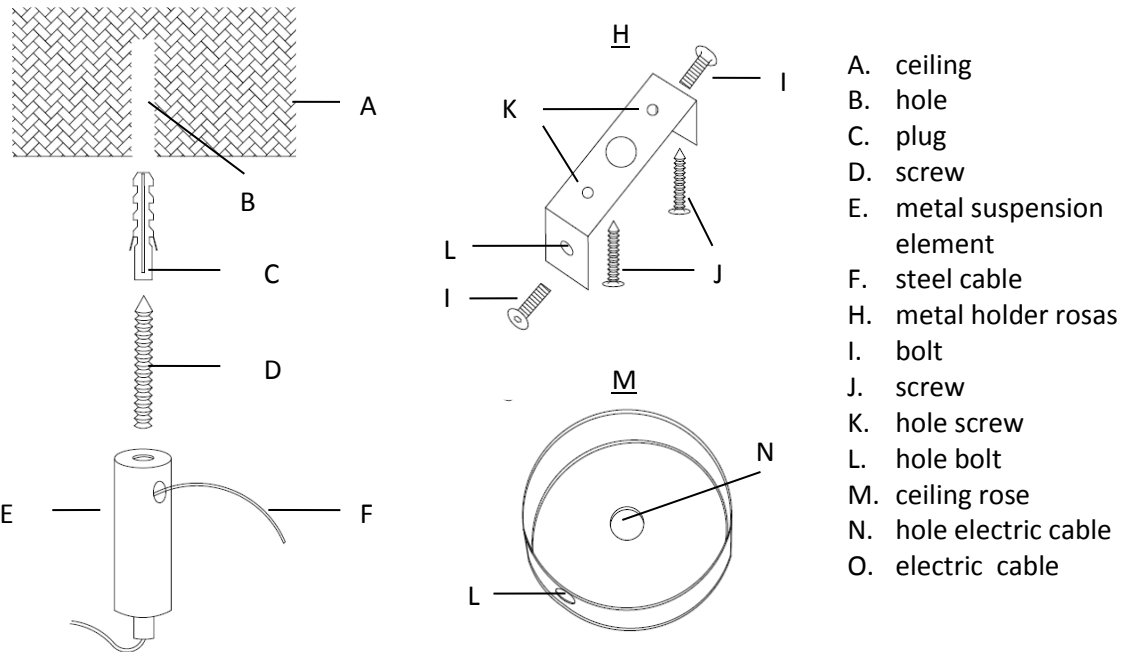
- A) Drill holes of 5mm
- B) Put plugs in the holes
- C) – Place a plastic washer on the screw
- Fix the track with screws



4. Installation "pendant"



- All steel cables are preinstalled.



- A. ceiling
- B. hole
- C. plug
- D. screw
- E. metal suspension element
- F. steel cable
- H. metal holder rosas
- I. bolt
- J. screw
- K. hole screw
- L. hole bolt
- M. ceiling rose
- N. hole electric cable
- O. electric cable

Suspension

1. Stick the plug (C) into the ceiling hole (B).
2. Twist the supplied screw (D) into the plug (C).
3. Twist suspension elements (E) onto the screw (D).
4. Pull steel cable (F) through the little hole at the bottom of the suspension element (E).

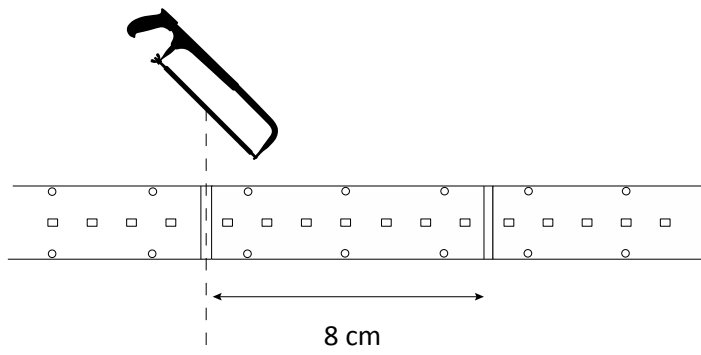
To adjust the length of the steel cable: push the pin below upward and pull the steel cable at the same time.

Ceiling rose

1. Remove the metal holder (H) from the rosas (M) and fix it to the ceiling.
2. Pull the electric cable through the hole (N) in the rosas and connect it.
3. Reattach the rosas (M) to the holder (H) using the screws (I).

5. Optionally : shorten the led line

Shorten the LED module every 8 cm



6. Warranty

Eden's Design's warranty obligations for this product are limited to the terms set forth below:

Eden Design, warrants this Eden Design-branded product against defects in materials and workmanship under normal use for a period of TWO (2) YEARS from the date of retail purchase by the original end-user purchaser ("Warranty Period"). If a defect arises and a valid claim is received within the Warranty Period, at its option and to the extent permitted by law, Eden Design will either (1) repair the defect at no charge, using new or parts equivalent to new in performance and reliability, (2) exchange the product with a product that is new or equivalent to new in performance and reliability and is at least functionally equivalent to the original product. Eden Design may request that you replace defective parts with new or refurbished user-installable parts that Eden Design provides in fulfillment of its warranty obligation. A replacement product or part, including a user-installable part that has been installed in accordance with instructions provided by Eden Design, assumes the remaining warranty of the original product or ninety (90) days from the date of replacement or repair, whichever provides longer coverage for you. When a product or part is exchanged, any replacement item becomes your property and the replaced item becomes Eden Design's property. Parts provided by Eden Design in fulfillment of its warranty obligation must be used in products for which warranty service is claimed.

Eden Design bvba, Woudstraat 5a, 3600 Genk, Belgium - www.edendesign.be